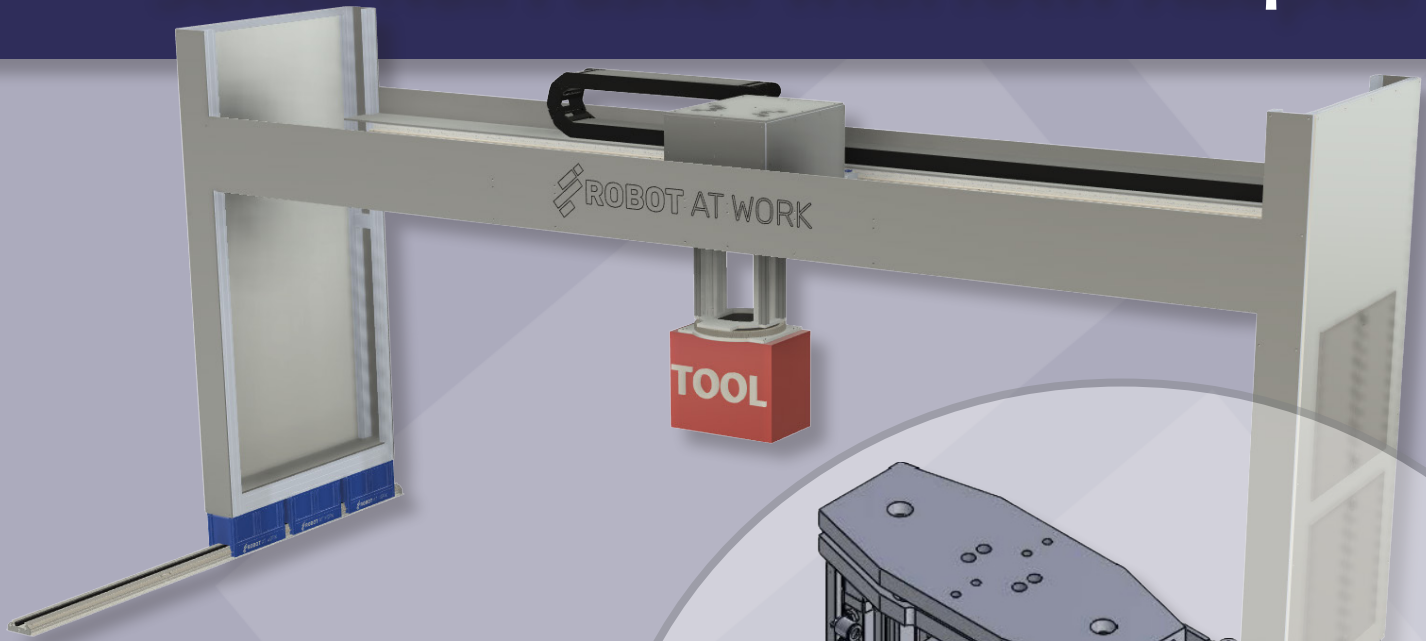


Senco Nail Pusher with RAW Adapter



Technical specifications

Art.nr.: SNP105*

Nail size: 50-75 mm

Noise level: 50-80 dB

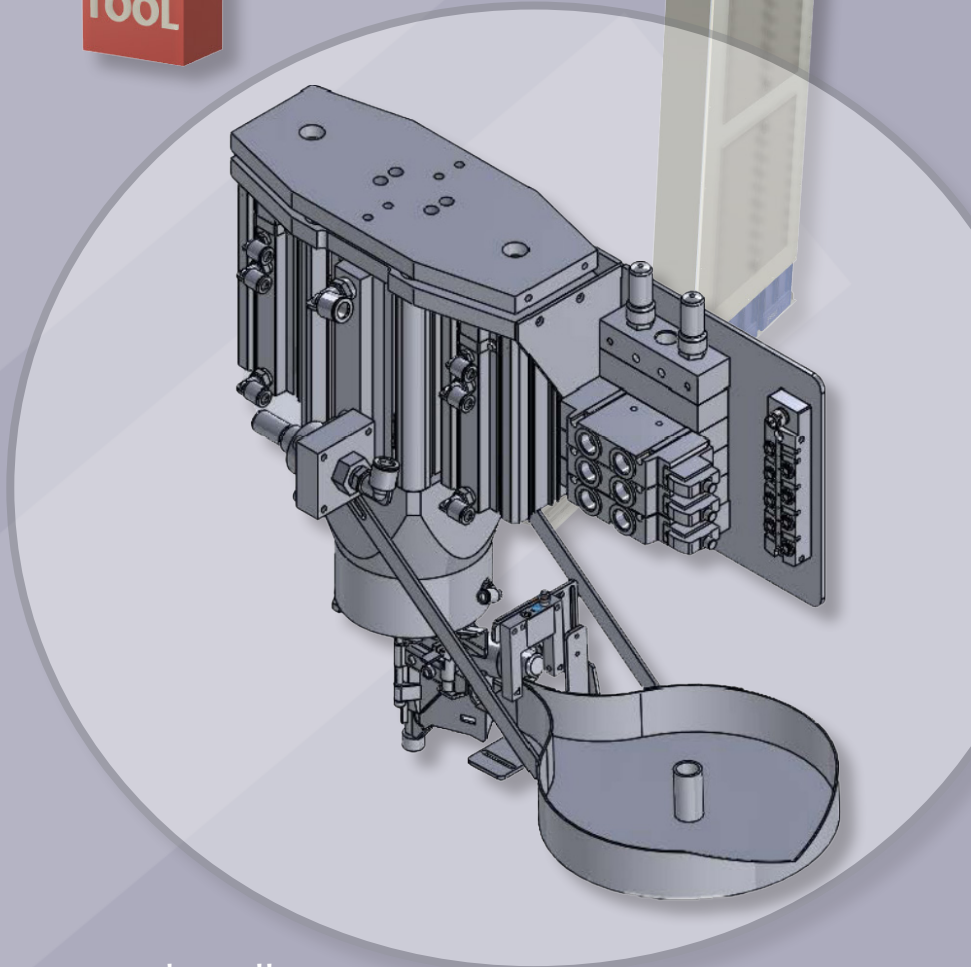
Max. air pressure: 8,5 bar

Air consumption: 1000 l/min
(at 6 bar)

Benefits

The kyocera-senco nail pusher ensures that all nails are placed evenly according to the surface of each individual board - even on knots. additionally, the nail pusher is fast and has a low noise level.

**Must be purchased at a Kyocera Senco dealer*



Denmark

+45 70 22 79

salg@kyocera-senco.dk

Sweden

+46 (0)152-170 50

kundservice@kyocera-senco.se

United Kingdom

+44 19 25 44 55 66

Info@kyocera-senco.co.uk