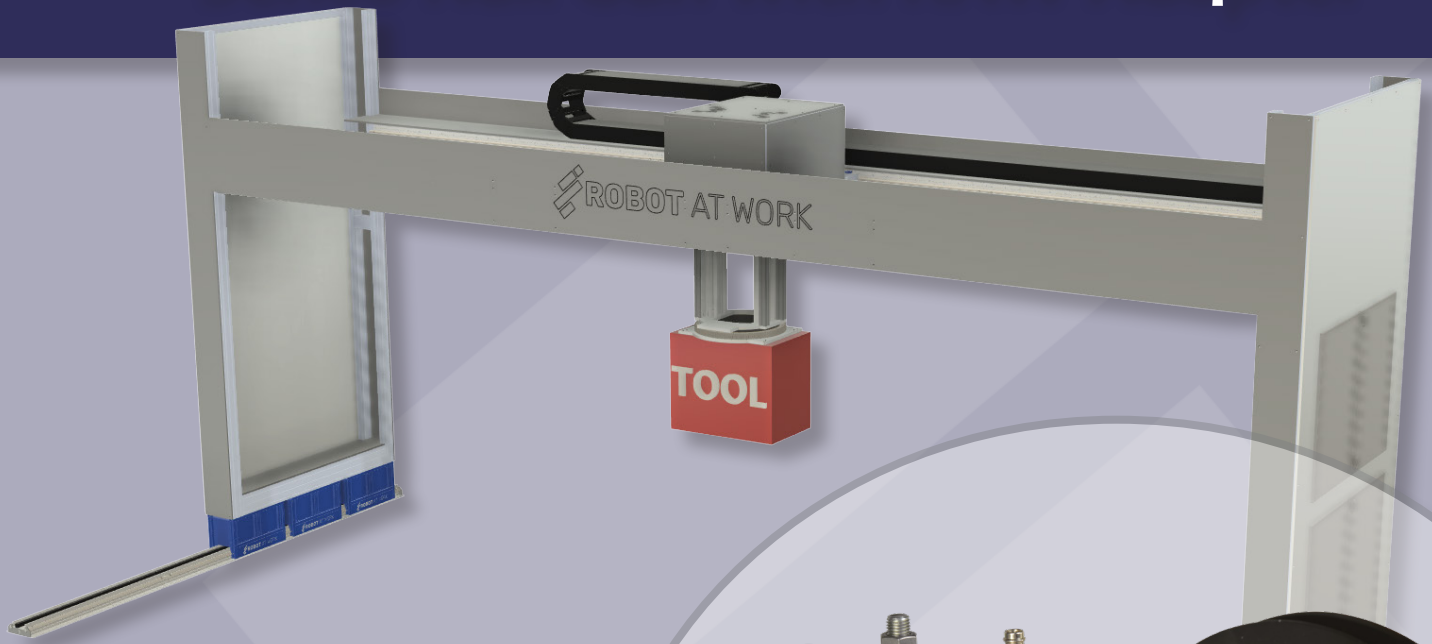


Senco Nail Gun with RAW Adapter



Technical specifications

Version: SHLCN90 high load coil nail gun*

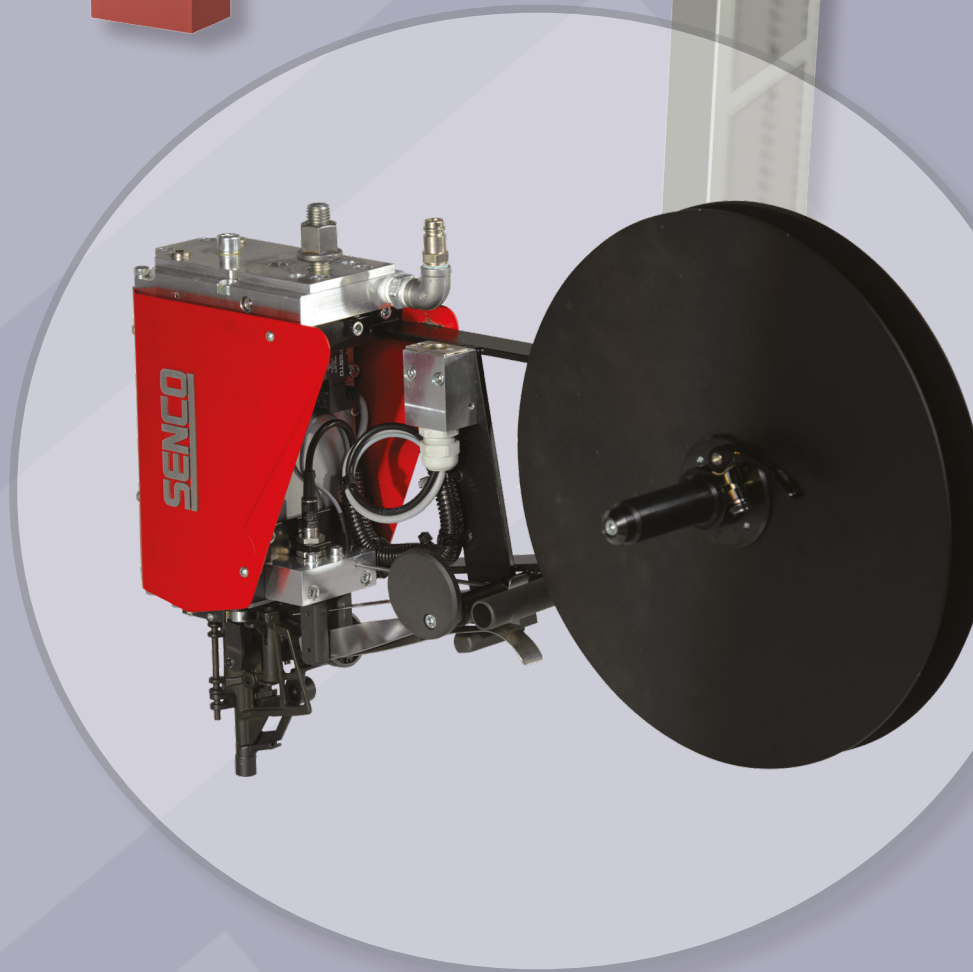
Net weight: 10 kg

Speed: ca. 30 sec. per m²

Operating air pressure: 5-7 bar

Magazine capacity: 3000 units

Air consumption (at 60 staples/min.): 1260 l/m



Benefits

The SHLCN90 high load nail gun is designed for large volume, consistent and precise fastening, and has the capacity for repeated nailing, and increasing the productivity. The coil nail gun fires nails from 2.5 to 3.1 mm with the length of 50-90 mm.

**Must be purchased at a Kyocera Senco dealer*

Denmark

+45 70 22 79

salg@kyocera-senco.dk

Sweden

+46 (0)152-170 50

kundservice@kyocera-senco.s

United Kingdom

+44 19 25 44 55 66

Info@kyocera-senco.c